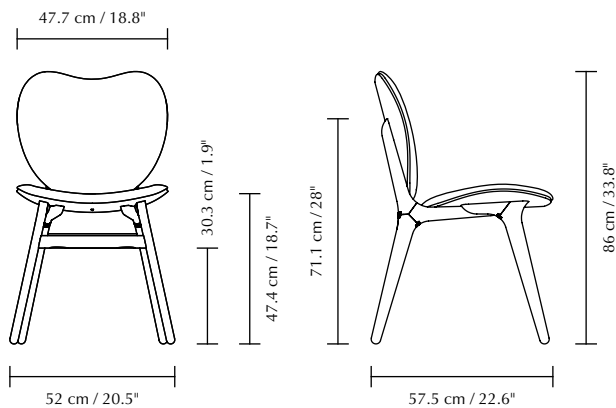


# A CONVERSATION PIECE | DINING CHAIR

Designed by Anders Klem



## DIMENSIONS (H x W x D)

86 x 57.5 x 52 cm / 33.8 x 22.6 x 20.5"



## MARKINGS, TESTS & CERTIFICATIONS

EN 16139 Furniture – Seating (Level 1)



## MATERIAL

Solid oak, moulded birch plywood with oak top veneer and polyester (Horizons S). Find more information in the Horizons S fabric spec sheet.



## WEIGHT

8.5 kg / 18.7 lb



## WEIGHT INCL. PACKAGING

Box 1: 9 kg / 20 lb

Box 2: 4 kg / 8.8 lb



## PACKAGING DIMENSIONS (L x W x H)

Box 1: 67 x 84.5 x 11 cm / 26.3 x 33.2 x 4.3"

Box 2: 50.5 x 42.5 x 18.5 cm / 19.9 x 16.7 x 7.3"



## ASSEMBLY TIME

10 min



## MEDIA KIT

Photos and press material

Download at [umage.presscloud.com](https://umage.presscloud.com)



## ORDERING INFORMATION

Oak sugar brown	#5589C740-01
Oak white sands	#5589C740-02
Oak sterling	#5589C740-03
Oak shadow	#5589C740-04
Oak morning meadows	#5589C740-12
Dark oak sugar brown	#5789C740-01
Dark oak white sands	#5789C740-02
Dark oak sterling	#5789C740-03
Dark oak shadow	#5789C740-04
Dark oak morning meadows	#5789C740-12
Black oak sugar brown	#5131C740-01
Black oak white sands	#5131C740-02
Black oak sterling	#5131C740-03
Black oak shadow	#5131C740-04
Black oak morning meadows	#5131C740-12

Colour variations

(wood)

(textiles)



oak



dark oak



black oak



sugar brown



white sands



sterling



shadow



morning meadows

  
UMAGE

# A CONVERSATION PIECE | DINING CHAIR

Designed by Anders Klem



With the same soft and organic outline known from the lounge chair collection, the A Conversation Piece dining chair combines elegance and functionality with craftsmanship. Made from solid oak and oak veneer, its airy, sculptural design is enhanced by subtle details like its rounded legs and seamless joints on the backrest, demonstrating meticulous attention to detail, adding warmth and character to any space.

Find more info on our website [umage.com](https://umage.com)

